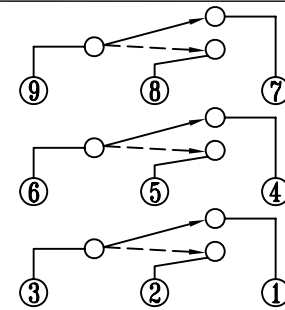
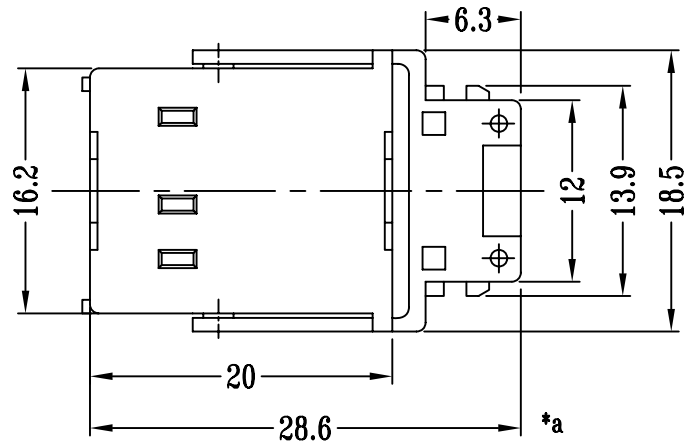
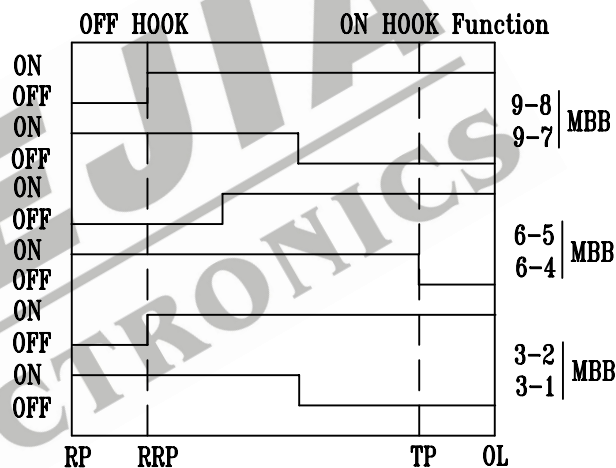
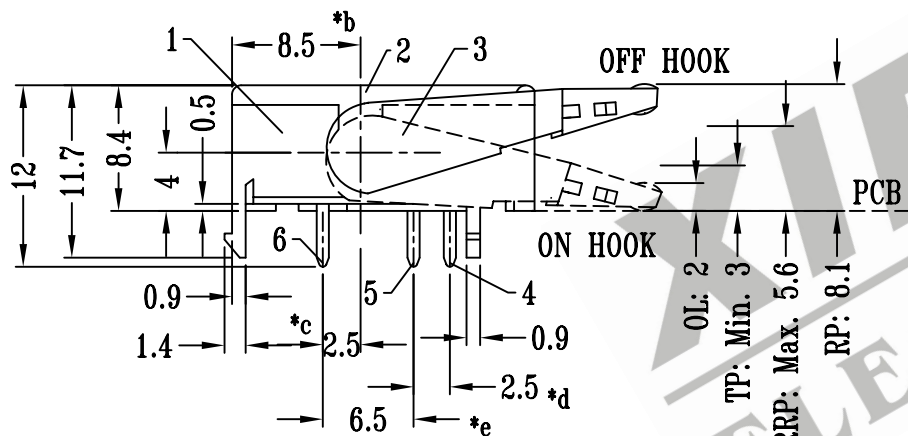


CAD FILE:

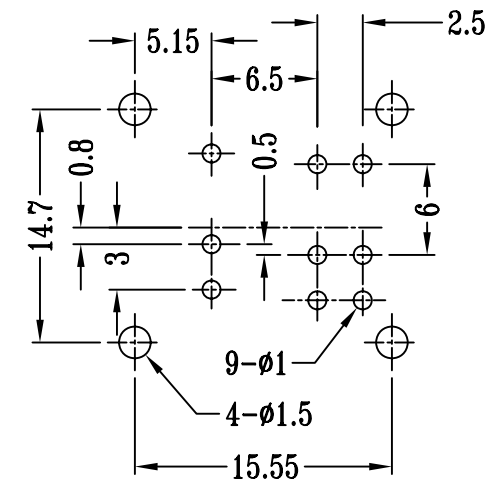


SCHEMATIC



FEATURES

OPERATING FORCE: 60±20gf/40±20gf



P.C.B LAYOUT

注:带*表示关键尺寸(5个)

8	SPRING	30#/32# SUS	1	TEMPER	TOLERANCE	SHENZHEN XIEJIA ELECTRONICS CO.,LTD.				
7	CONTACT POINT	BRASS	3	Au PLATED OVER Ni PLATED	UNLESS SPECIFIED					
6	SPRING TERMINAL	Ti-Cu STRIP	3	Ag PLATED OVER Ni PLATED	WITHIN : 1.5±0.1mm	ISSUE	DATE	DESCRIPTIONS OF REVISION		APPD.
5	TERMINAL A	BRASS STRIP	3	Ag PLATED OVER Ni PLATED	OVER : 1.5±0.2mm					
4	TERMINAL	BRASS STRIP	3	Ag PLATED OVER Ni PLATED	TITLE : HOOK SWITCH		UNIT : mm	DRWG NO.: XJ-DR-HS32L09-00		
3	KNOB	NYLON+30%GLASS	1	BLACK			MODEL: HS-32L09		SCALE: 1:1	DWN.
2	COVER	PBT+30%GLASS+94V0	1	BLACK	CHK'D	FANGYING			2001-8-4	
1	CASE	PBT+30%GLASS+94V0	1	BLACK	ALL MATERIALS MUST BE COMPLIANT TO ROHS		APPD.	KANGXINAN	2001-8-4	
NO.	PARTS	MATERIALS	Q'TY	FINISH						